



IR Transmission Series

User Manual

Model : IEC-3501F-05

Single IR Emitter (Non-Blinking)



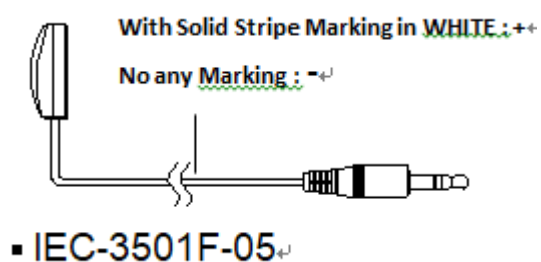
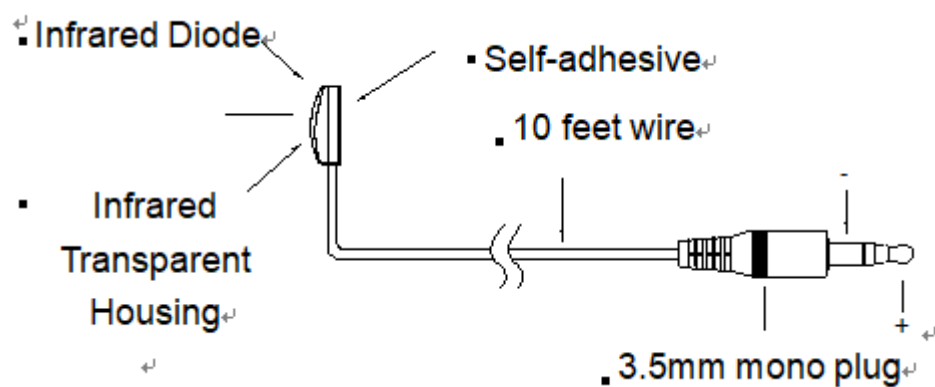
Introduction

IEC-3501F-05 is a single IR emitter

Features

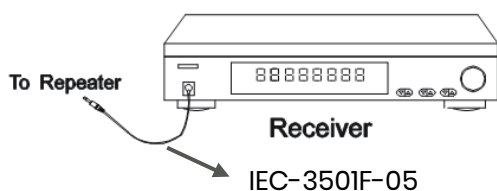
- Cable length 300cm...

Diagram



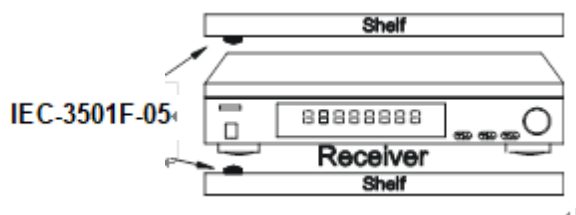
Installation View

Standard installation



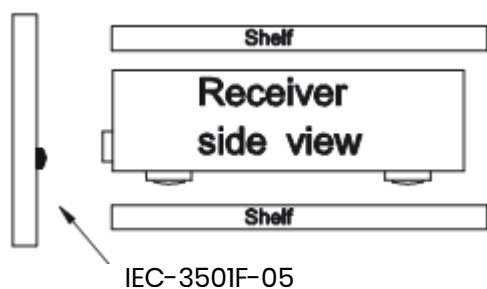
1. IR emitter (flat side) attached directly to IR sensor window
2. More reliable activated
3. Looks nice

Attach IR emitter at inside of shelf



1. Attach IR emitter on above or below of the IR window
2. Less reliable activated

Cabinet With door Installation



1. IR emitter is attached to rack door, round shape side facing the IR window
2. Less reliable activated

Note

1. Make sure mounting surface are clean and dry for fixed well
2. You cannot connect the IR emitter directly to a power supplies or battery

Specification

ITEM NO.	IEC-3501F-05
Support	
Reception Angle	±45°
Ports & Interfaces	
Connector	1 x ø3.5mm Mono Plug
Physical Characteristics	
Cable Length	3M